

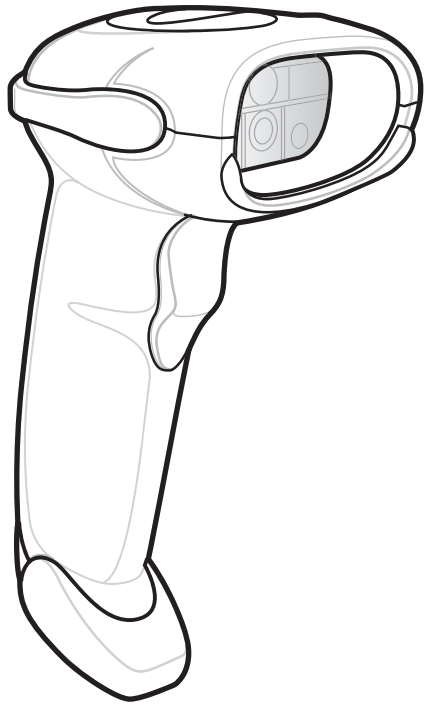
DS4208

Quick Start Guide

<http://www.zebra.com/ds4208>

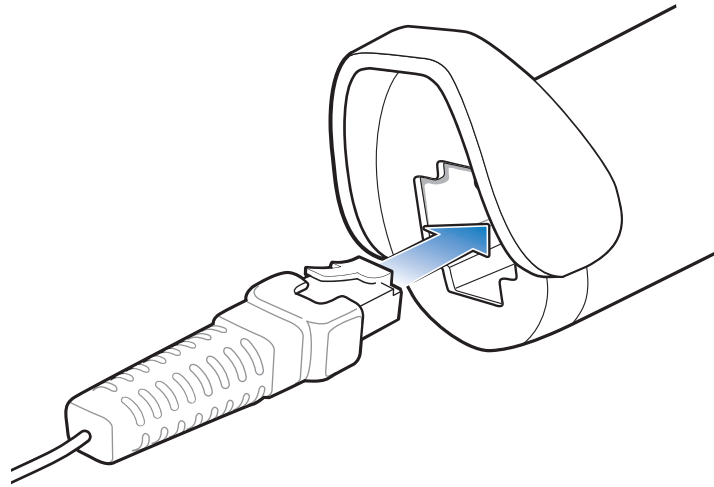
STEP 1 - ATTACH CABLE TO SCANNER

POST IN WORK AREA

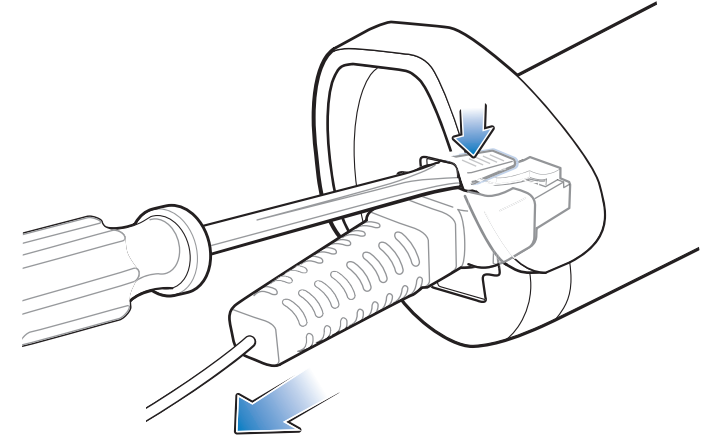


See Product Reference Guide for detailed information

Attach Cable



Remove Cable (to change interface)

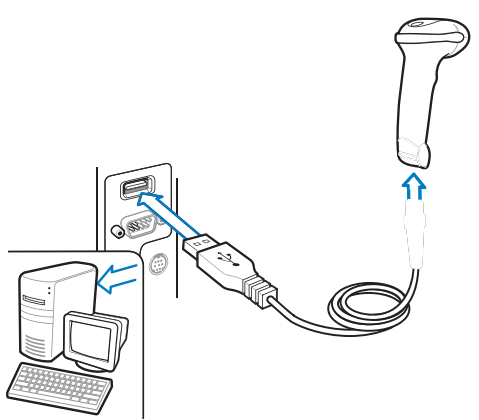


Note: An audible click sounds when the shielded cable is inserted correctly.

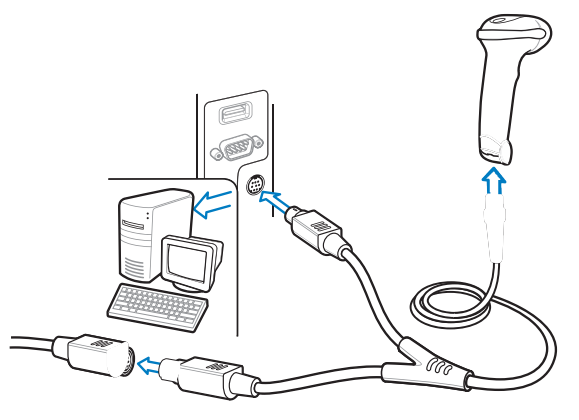
STEP 2 - CONNECT CABLE TO A HOST

NOTE: Cables may vary depending on configuration.

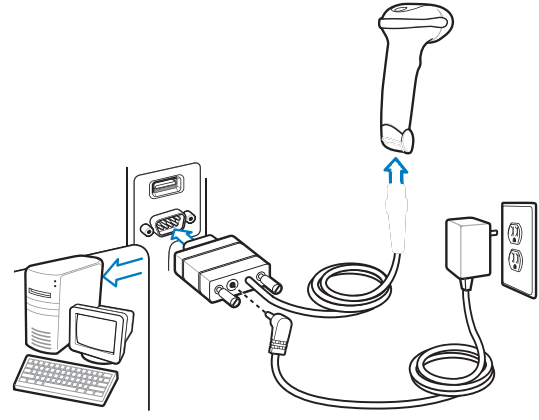
USB



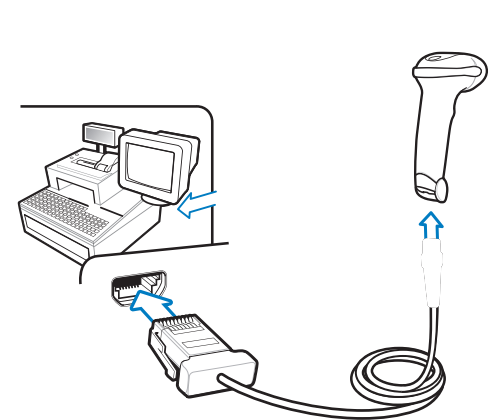
Keyboard Wedge



RS-232



IBM 46XX



STEP 3 - SET UP INTERFACE (Scan Host Bar Codes)

Important: Out of box, RS-232 and USB interfaces require no bar code scan setup. Bar codes are provided for complex programming or interface changes.

USB

Scan **ONE** of the bar codes below



IBM HAND-HELD USB



HID KEYBOARD EMULATION



Symbol Native API (SNAPI) without Imaging Interface

Keyboard Wedge

Scan **ONE** of the bar codes below



IBM AT Notebook



IBM PC/AT and IBM PC COMPATIBLE

RS-232

Scan **ONE** of the bar codes below



OPOS/JPOS



STANDARD RS-232

IBM 46XX

Scan **ONE** of the bar codes below



PORT 5B



PORT 9B

ADD AN ENTER KEY (CARRIAGE RETURN/LINE FEED)

To add an **ENTER** key after scanned data, scan all **THREE** bar codes below in numerical order.

1



SCAN OPTIONS

2



<DATA><SUFFIX>

3



ENTER

ADD A TAB KEY

To add a **Tab** key after scanned data, scan all **THREE** Enter key bar codes above in numerical order then scan all **FIVE** bar codes below in numerical order.

1



SCAN SUFFIX

2



7

3



0

4



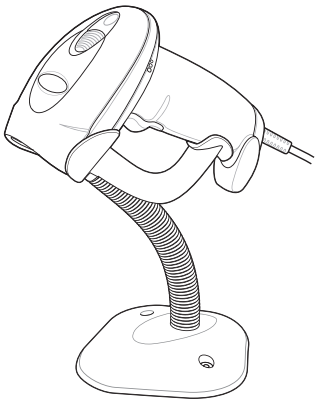
0

5



9

INTELLISTAND



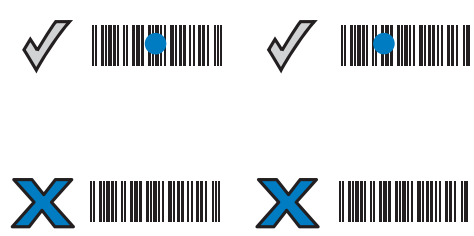
SET DEFAULTS

Return to Factory Defaults



SET DEFAULTS

OPTIMUM SCANNING



123SCAN²

123Scan² is an easy-to-use, PC-based software tool that enables rapid and easy customized setup via a bar code or USB cable. For more information, visit: <http://www.zebra.com/123Scan2>.

SCANNER INDICATIONS

LED Indications

Standard Use		
Off	Green	Red
Scanner is on and ready to scan, or no power to scanner	Bar code is successfully decoded	Transmission error

Beeper Indications

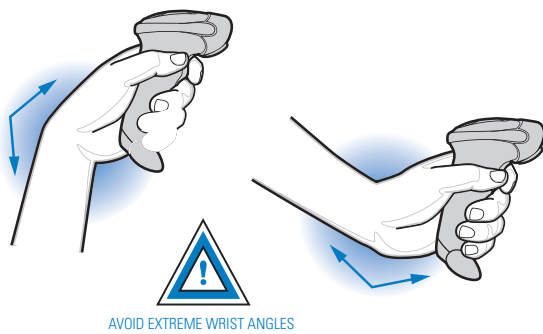
Standard Use		
Low/medium/high beeps	Short beep	4 low beeps
Power up	Bar code symbol decoded (if decode beeper enabled)	Transmission error detected, data is ignored
Parameter Menu Scanning		
High/low/high/low beeps	High/low beeps	Low/high beeps
Successful parameter setting	Keyboard parameter selected.	Input error; incorrect bar code, programming sequence, or Cancel scanned

Troubleshooting

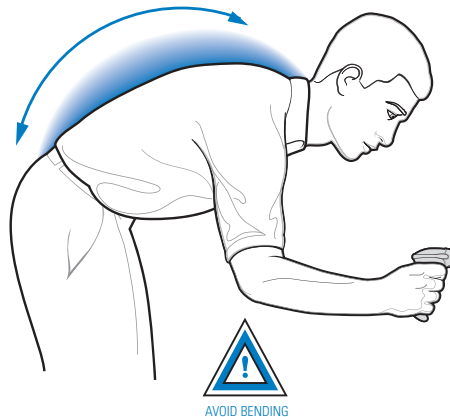
Scanner not working		
No power to scanner	Incorrect interface cable used	Interface/power cables are loose
Check system power; ensure power supply, if required, is connected	Ensure that correct interface cable is used	Ensure all cable connections are secure
Scanner decoding bar code, but data not transmitting to host		
Scanner not programmed for correct host interface	Interface cable is loose	
Scan appropriate host parameter bar codes	Ensure all cable connections are secure	
Scanned data incorrectly displayed on host		
Scanner not programmed for correct host interface		
Scan appropriate host parameter bar codes		
Scanner not decoding bar code		
Scanner not programmed for bar code type	Bar code unreadable	Distance between scanner and bar code incorrect
Ensure scanner is programmed to read type of bar code being scanned	Ensure bar code not defaced; try scanning test bar code of same bar code type	Move scanner closer to or further from bar code

RECOMMENDED USAGE GUIDE - OPTIMUM BODY POSTURE

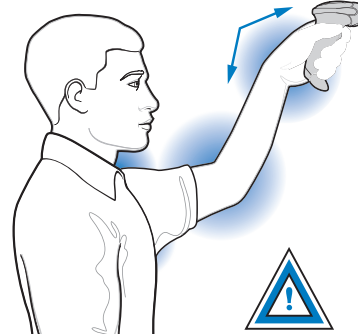
Avoid Extreme Wrist Angles



Avoid Bending



Avoid Reaching



Health and Safety Recommendations

Ergonomic Recommendations

Caution: In order to avoid or minimize the potential risk of ergonomic injury follow the recommendations below. Consult with your local Health & Safety Manager to ensure that you are adhering to your company's safety programs to prevent employee injury.

- Reduce or eliminate repetitive motion.
- Maintain a natural position.
- Reduce or eliminate excessive force.
- Keep objects that are used frequently within easy reach.
- Perform tasks at correct heights.
- Reduce or eliminate vibration.
- Reduce or eliminate direct pressure.
- Provide adjustable workstations.
- Provide adequate clearance.
- Provide a suitable working environment.
- Improve work procedures.

REGULATORY INFORMATION

Zebra reserves the right to make changes to any product to improve reliability, function, or design. Zebra does not assume any product liability arising out of, or in connection with, the application or use of any product, circuit, or application described herein. No license is granted, either expressly or by implication, estoppel, or otherwise under any patent right or patent, covering or relating to any combination, system, apparatus, machine, material, method, or process in which Zebra products might be used. An implied license exists only for equipment, circuits, and subsystems contained in Zebra products.

Power Supply
Use ONLY a LISTED, Type no. PWRS-14000 (5.2Vdc, 850mA minimum), direct plug-in power supply, marked Class 2 or LPS (IEC60950-1, SELV). Use of alternative Power Supply will invalidate any approvals given to this unit and may be dangerous.

Warranty
For the complete Zebra hardware product warranty statement, go to: <http://www.zebra.com/warranty>.

Service Information
If you have a problem using the equipment, contact your facility's Technical or Systems Support. If there is a problem with the equipment, they will contact Zebra at: <http://www.zebra.com/support>.
For the latest version of this guide go to: <http://www.zebra.com/support>.

Waste Electrical and Electronic Equipment (WEEE)

English: For EU Customers: All products at the end of their life must be returned to Zebra for recycling. For information on how to return product, please go to: <http://www.zebra.com/weee>.

Bulgarian: За клиентите от ЕС: След края на ползването им живот всички продукти трябва да се връщат на Zebra за рециклиране. За информация относно връщането на продукти, моля отидете на адрес: <http://www.zebra.com/weee>.

Czech: Pro zákazníky z EU: Všechny produkty je nutné po skončení jejich životnosti vrátit společnosti Zebra k recyklaci. Informace o způsobu vrácení produktu najdete na webové stránce: <http://www.zebra.com/weee>.

Danish: Til kunder i EU: Alle produkter skal returneres til Zebra til recyklering, når de er udfjældt. Les oplysningerne om returnering af produkter på: <http://www.zebra.com/weee>.

Deutsch: Für Kunden innerhalb der EU: Alle Produkte müssen am Ende ihrer Lebensdauer zum Recycling an Zebra zurückgegeben werden. Informationen zur Rücksendung von Produkten finden Sie unter <http://www.zebra.com/weee>.

Ελληνικά: Για πελάτες στην Ε.Ε.: Όλα τα προϊόντα, στο τέλος της διάρκειας ζωής τους, πρέπει να επιστραφούν στην Zebra για ανακύκλωση. Για πληροφορίες σχετικά με την επιστροφή ενός προϊόντος, επισκεφθείτε τη διεύθυνση <http://www.zebra.com/weee> στο Διοίκισιο.

Eesti: EL klientidele: kõik tooted tuleb nende elutsükli lõppedes tagastada taaskasutamise eesmärgil Zebrale. Lisainformatsiooni saamiseks tuleb tagastamiseks kohta küsida Zebra palun aadressil: <http://www.zebra.com/weee>.

Espanol: Para clientes en la Unión Europea: todos los productos deberán entregarse a Zebra al final de su ciclo de vida para que sean reciclados. Si desea más información sobre cómo devolver un producto, visite: <http://www.zebra.com/weee>.

Français: Clients de l'Union Européenne: Tous les produits en fin de cycle de vie doivent être retournés à Zebra pour recyclage. Pour de plus amples informations sur le retour de produits, consultez: <http://www.zebra.com/weee>.

Italiano: per i clienti dell'UE: tutti i prodotti che sono giunti al termine del rispettivo ciclo di vita devono essere restituiti a Zebra al fine di consentire il riciclaggio. Per informazioni sulle modalità di restituzione, visitate il seguente sito Web: <http://www.zebra.com/weee>.

Latviskie: ES klientiem: visus produktus pēc to kalpošanas mēģa beigām ir jānodod atpakaļ Zebra otrreizējai pārstrādei. Lai iegūtu informāciju par produktu nododāšanu Zebra, lūdz, skatīt: <http://www.zebra.com/weee>.

Scanner Labeling



部件名称 (Parts)	有害物质					
	铅 (Pb)	汞 (Hg)	镉 (Cd)	六价铬 (Cr (VI))	多溴联苯 (PBB)	多溴二苯醚 (PBDE)
金属部件 (Metal Parts)	X	○	○	○	○	○
电路模块 (Circuit Modules)	X	○	○	○	○	○
电缆及电缆组件 (Cables and Cable Assemblies)	○	○	○	○	○	○
塑料和聚合物部件 (Plastic and Polymeric Parts)	○	○	○	○	○	○
光学和光学组件 (Optics and Optical Components)	X	○	○	○	○	○
电池 (Batteries)	○	○	○	○	○	○

本表格依据SJ/T 11364 的规定编制。
 0: 表示该有害物质在该部件所有均质材料中的含量均在 GB/T 26572 规定的限量要求以下。
 X: 表示该有害物质至少在该部件的某一均质材料中的含量超出GB/T 26572 规定的限量要求。(企业可在此处, 根据实际情况对上表中打“X”的技术原因进行进一步说明。)

This table was created to comply with China RoHS requirements.

Regulatory Information

This guide applies to Model Number: DS4208. All Zebra devices are designed to be compliant with rules and regulations in locations they are sold and will be labeled as required. Local language translations are available at the following website: <http://www.zebra.com/support>.

Any changes or modifications to Zebra equipment, not expressly approved by Zebra, could void the user's authority to operate the equipment. Antennas: Use only the supplied or an approved replacement antenna. Unauthorized antennas, modifications, or attachments could cause damage and may violate regulations.

LED Devices
Complies with IEC/EN60825-1:2001 & IEC/EN62471:2006
For devices with Class 1M LEDs the following label is used:

Radio Frequency Interference Requirements - FCC



Tested to comply with FCC Standards FOR HOME OR OFFICE USE

Note: This equipment has been tested and found to comply with the limits for a Class B digital device, pursuant to Part 15 of the FCC rules. These limits are designed to provide reasonable protection against harmful interference in a residential installation. This equipment generates, uses and can radiate radio frequency energy and, if not installed and used in accordance with the instructions, may cause harmful interference to radio communications. However there is no guarantee that interference will not occur in a particular installation. If this equipment does cause harmful interference to radio or television reception, which can be determined by turning the equipment off and on, the user is encouraged to try to correct the interference by one or more of the following measures:

- Reorient or relocate the receiving antenna
- Increase the separation between the equipment and receiver
- Connect the equipment into an outlet on a circuit different from that to which the receiver is connected
- Consult the dealer or an experienced radio/TV technician for help.

Radio Frequency Interference Requirements - Canada

This Class B digital apparatus complies with Canadian ICES-003. Cet appareil numérique de la classe B est conforme à la norme NMB-003 du Canada.

Marking and European Economic Area (EEA)

Statement of Compliance

Zebra hereby declares that this device is in compliance with all applicable Directives, 2014/30/EU, 2014/35/EU and 2011/65/EU. The full text of the EU Declaration of Conformity is available at the following internet address: <http://www.zebra.com/doc>.

TURKISH WEEE Statement of Compliance

EEE Yönetmeliğinin Uygundur

Japan (VCCI) - Voluntary Control Council for Interference Class B ITE

この装置は、情報処理装置等電波障害自主規制協議会（VCCI）の基準に基づくクラスB情報技術装置です。この装置は、家庭環境で使用することを目的としていますが、この装置がラジオやテレビジョン受信機に近接して使用されると、受信障害を引き起こすことがあります。取扱説明書に従って正しい取り扱いをして下さい。

Korea Warning Statement for Class B ITE

기종별	사용자안내문
B급 기기 (가정용 방송통신기기)	이 기기는 가정용(B급)으로 전자파적합등록을 한 기기로서 주로 가정에서 사용하는 것을 목적으로 하며, 모든 지역에서 사용할 수 있습니다.



Zebra Technologies Corporation
Lincolnshire, IL U.S.A
<http://www.zebra.com>

Zebra and the stylized Zebra head are trademarks of ZIH Corp., registered in many jurisdictions worldwide. All other trademarks are the property of their respective owners.
©2016 Symbol Technologies LLC, a subsidiary of Zebra Technologies Corporation. All rights reserved.



72-139230-03 Revision A June 2016

DS4208

<http://www.zebra.com/ds4208>